

Excavator on ship

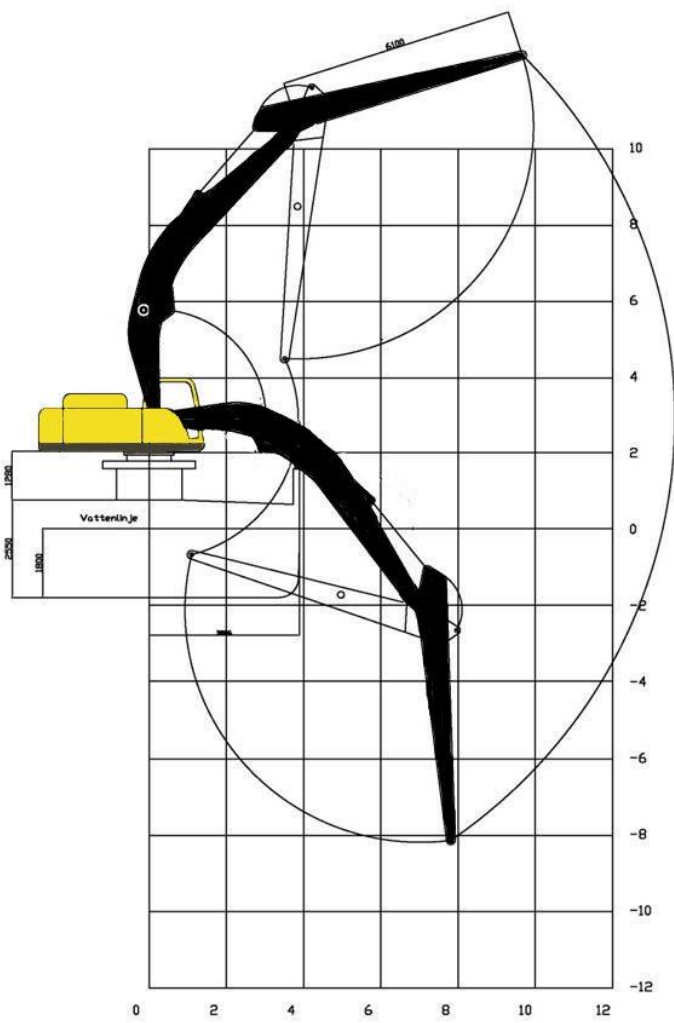
Mounting on ship

Equipment for multi purpose vessel



From idea to
complete product!





CeDe Dredging Machine

The machine, without undercarriage, is fixed on a prepared swing ring seat on the ship. The monoboam and dipperarm is extended and fitted with link for grab.



Excavator on ship

Mounting on ship / Equipment for multi purpose vessel

CeDe Excavator on suction dredger vessel

The machine without undercarriage is adapted for unloading sand from vessel.



From idea to complete product!

We make machines more useful!



*We reserve the right to change specifications and design without prior notice.
The illustrations do not necessarily show the standard version of the machine.*



CEDE GROUP AB

Vinkelgatan 15 SE-211 24 MALMÖ +46 40 38 32 00

info@cede-group.se - www.cede-group.se