

CeDe Safety Glass

for Wheel Loaders and Excavators



Application of the various protections

Front window P8B 12 mm and side window 8 mm. This protection is recommended in the following applications:

- Quarry and tunnel work where stones from own hydraulic hammer or other machines breaker or crushing units can damage the operators cab.
- At frequent use of hydraulic hammer or where there is a risk for „blasting“ the front window, it can be equipped with a replaceable protection folio.
- At work with chipper or recycling with crushing units.
- Vandal protection.

Front window BR4NS + combination with P8B in other windows. This protection is recommended in the following applications:

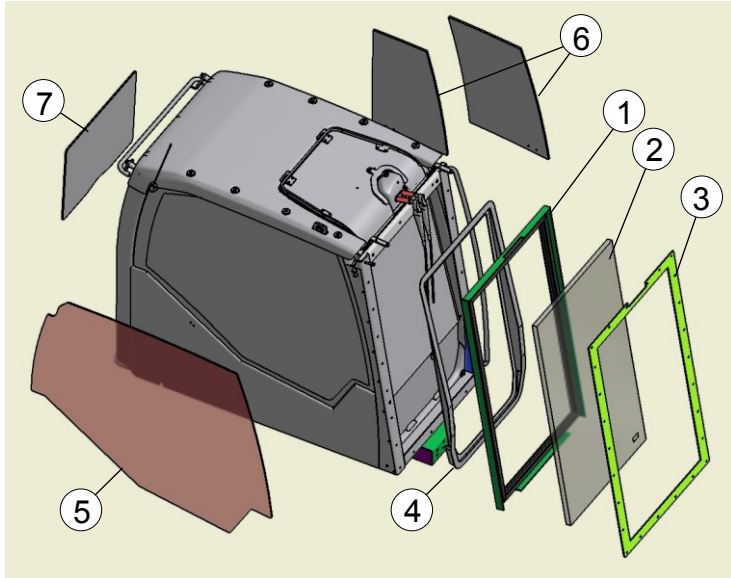
- Like above and when unexploded charge can be triggered when handling the rocks.
- At the risk of fall or heavier objects that can be pushed onto the front at eg. log handling, scrap handling and chipping / grinding of construction residues.

From idea to complete product!



CeDe Safety Glass

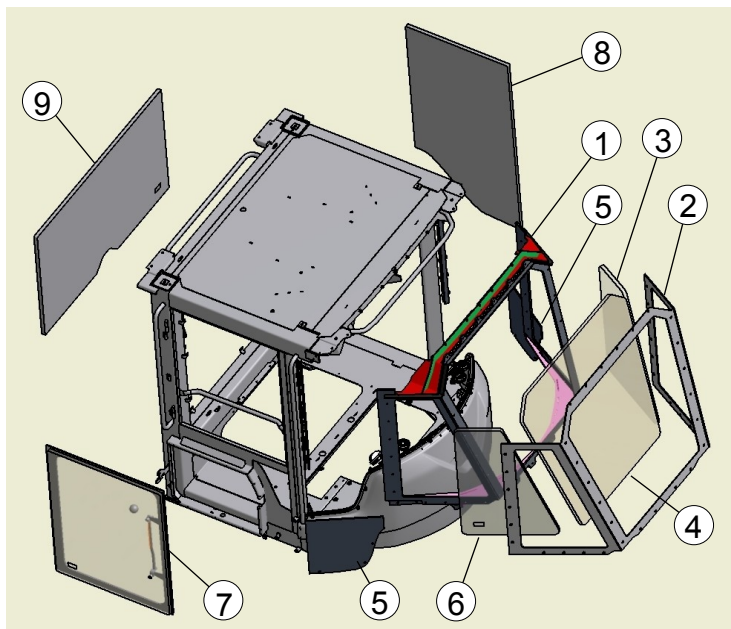
For Wheel Loaders and Excavators



Excavators EC/EW140 – EC700

No	Part	P8B*	BR4NS*
1	Inner frame	-	X
2	Front glass	12 mm	31 mm
3	Outer frame	-	X
4	Frame for glue-fixed glass	X	-
5	Side glass, right	8 mm	P8B 8 mm**
6	Glass in cab door, 2 pcs	8 mm	P8B 8 mm**
7	Glass in escape window	8 mm	P8B 8 mm**

*) P8B EN 356, BR4NS EN 1063:1999
 **) Option



Wheel Loaders L60 - L250

No	Part	P8B*	BR4NS*
1	Inner frame	X	X
2	Outer frame	-	X
3	Side glass, left	12 mm	21 mm
4	Front glass	12 mm	21 mm
5	Corner glass/steel plate	12 mm	8 mm steel
6	Side glass, right	12 mm	21 mm
7	Glass in escape window	8 mm	-
8	Glass in cab door	8 mm	-
9	Rear glass	8 mm	-

*) P8B EN 356, BR4NS EN 1063:1999